



VMZINC® Series Panels pull from the distinctive tones and textures of nature to create an exclusive, refined and unforgettable visual experience. Our VMZINC® panels are available in QUARTZ-ZINC®, ANTHRA-ZINC®, AZENGAR® and PIGMENTO® Series colors.

**Technical Information:**

**System Depth** - 1 ¼" nominal

**Material** - VMZINC®

**Material Thickness** - 1 mm, 1.5 mm

**Panel Joints** - ½" nominal standard (1/8" – 1" available)

**Finish** - Quartz, Anthra, Azengar, and Pigmento Series

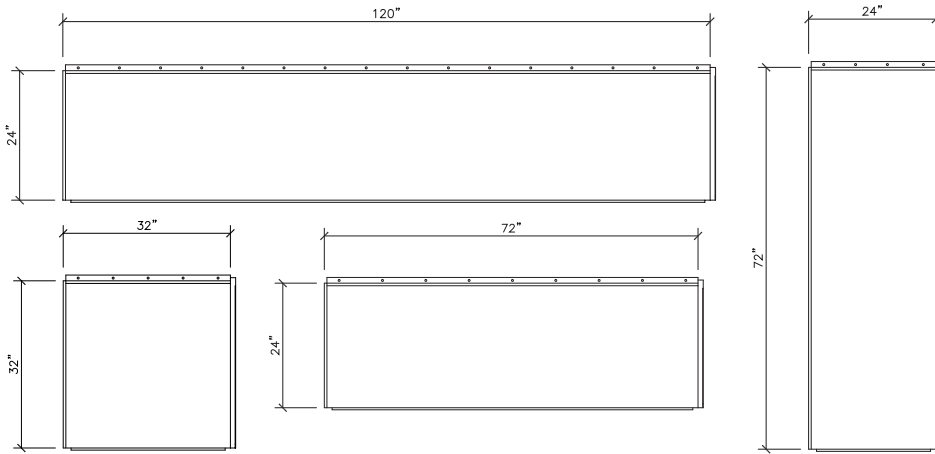
**Weight** - Less than 3 pounds per square foot

**Panel Size Parameters:**

These are the recommended maximum size panel guides. If the panel you would like fits inside these guides, Dri-Design can easily manufacture it. For larger sizes, please contact a Dri-Design representative to discuss your specific requirements.



**1.5 mm ANTHRA-ZINC®, QUARTZ-ZINC®, PIGMENTO® and AZENGAR®**  
 Colors shown are representational only.



**1 mm ANTHRA-ZINC®, QUARTZ-ZINC®, PIGMENTO® and AZENGAR®**  
 Colors shown are representational only.

